

SterlingTM
TAKES YOU TO THE NEXT LEVEL



**Laboratory
Glassware
PRICE LIST**

SERVING SCIENCE SINCE 1965

WHY STERLING

UNMATCHED QUALITY AT
AFFORDABLE PRICES

With your purchase you obtain the highest quality at the lowest prices.

SWIFT DELIVERY

All orders are processed on the same day of the receipt of technically & commercially clear purchase order. We have an extensive range of products on site in our warehouse and can deliver most of the equipment within just a few days.

REGULAR UPGRADATION

We at Sterling continue to develop new products and innovate our product processes. For that reason it might be the case that actual products sometime appear slightly different from the ones illustrated here in the catalogue.

QUALITY MANAGEMENT

Sterling has obtained a quality approval certification for service, products & organizational process according to ISO 9001:2008 quality management system.

WELCOME

TO THE WORLD OF STERLING. WE ARE SURE YOU WILL ENJOY MAKING YOUR SELECTION FROM OUR LATEST COLLECTION OF EDUCATIONAL GOODS.

As one of the leading manufactures & suppliers of scientific laboratory equipments Sterling manufacturing co. was established in 1965,till 1989 the concentration of the business was only in the domestic market., but with the opening of the Indian economy and liberalization policies started by the govt. of India.

The company established its export section and started to manufacture and export various science and educational requisites, colleges and international market. Since inception, what has changed, is the range of products we have introduced over the time to serve every need in the industry, We have our own-in-house manufacturing units, so as to have total control over Quality and Production with skilled staff.

STERLING™ dedication to the service of Scientific Educational Goods is the rich heritage of the company which continues today and will be fostered in future too.

FOR ADDITIONAL TECHNICAL SALES ENQUIRIES

Please call 0091 98120 40405, 00919671888088

Email : info@sterlingco.com



LABORATORY GLASSWARES

BEAKERS

1001 Beakers Low form, with spout, graduated.		
Cat. No.	Capacity(ml)	Price US\$
SMC-1001.1	5	00.32
SMC-1001.2	10	00.32
SMC-1001.3	25	00.35
SMC-1001.4	50	00.40
SMC-1001.5	100	00.52
SMC-1001.6	250	00.90
SMC-1001.7	500	01.55
SMC-1001.8	1000	03.20
SMC-1001.9	2000	07.75
SMC-1001.10	3000	15.00
SMC-1001.11	5000	24.00
SMC-1001.12	10000	-----

BOTTLES

1002 Reagent Bottles, Narrow Mouth, with interchangeable hexagonal flat head hollow Stopper.		
Cat. No.	Capacity(ml)	Price US\$
SMC-1002.1	125	02.50
SMC-1002.2	250	02.75
SMC-1002.3	500	05.15
SMC-1002.4	1000	09.95
SMC-1002.5	2000	14.60
SMC-1002.6	5000	24.00
SMC-1002.7	10000	-----
SMC-1002.8	20000	-----

1003 Dropping Bottles, fitted with ground in interchangeable stopper and rubber teat.		
Cat. No.	Capacity(ml)	Price US\$
SMC-1003.1	60	02.15
SMC-1003.2	125	02.50
SMC-1003.3	250	02.75

1004 Bottles Aspirator, with interchangeable stopper, Screw type PTFE key stopcock with interchangeable joint.		
Cat. No.	Capacity(ml)	Price US\$
SMC-1004.1	1000	18.00
SMC-1004.2	2000	25.75
SMC-1004.3	5000	60.00
SMC-1004.4	10000	-----
SMC-1004.5	20000	-----

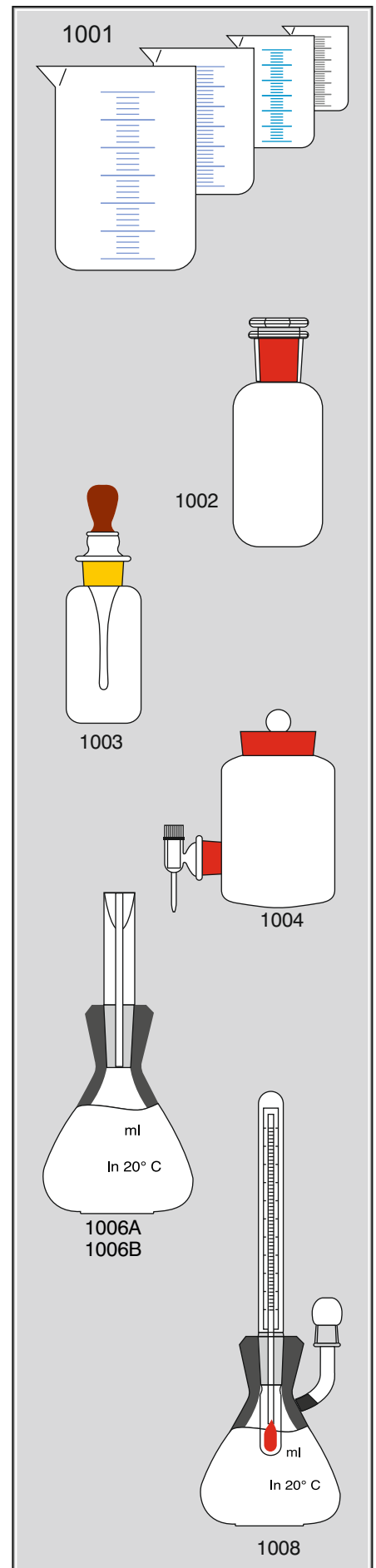
1005 Bottle Aspirator with Outlet		
Cat. No.	Capacity(ml)	Price US\$
SMC-1005.1	250	03.20
SMC-1005.2	500	03.80
SMC-1005.3	1000	07.75

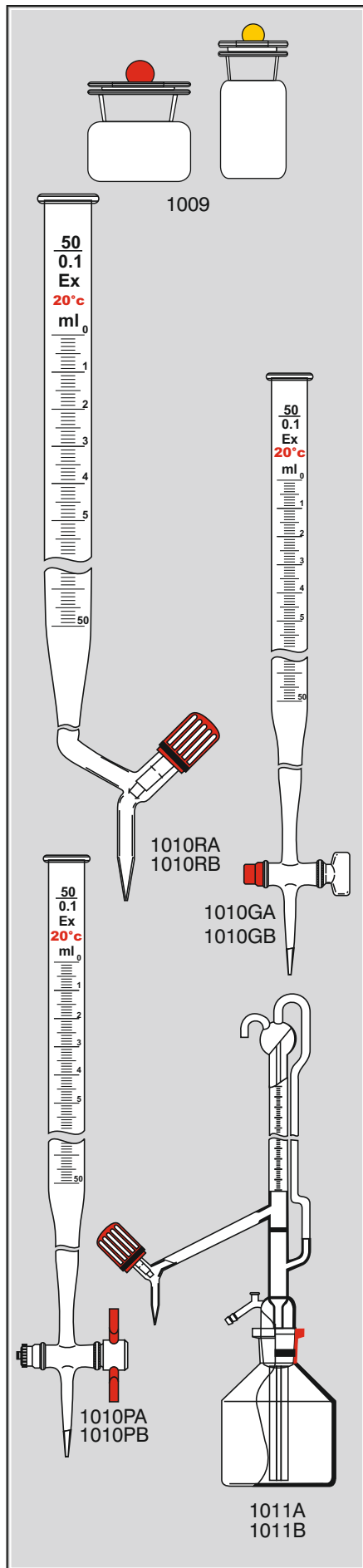
1006A Specific Gravity Bottles, Ground in teflon stopper, Class 'A'.		
Cat. No.	Capacity(ml)	Price US\$
SMC-1006A.1	10	02.75
SMC-1006A.2	25	03.00
SMC-1006A.3	50	03.45

1006B Specific Gravity Bottles, Ground in capillary stopper. Class 'B'		
Cat. No.	Capacity(ml)	Price US\$
SMC-1006B.1	10	00.98
SMC-1006B.2	25	01.10
SMC-1006B.3	50	01.20

1007 Bottles, B.O.D. with interchangeable stopper		
Cat. No.	Capacity(ml)	Price US\$
SMC-1007.1	125	03.35
SMC-1007.2	300	04.80

1008 Specific Gravity Bottles, with Ground in thermometer range 0 to 50°C.		
Cat. No.	Capacity(ml)	Price US\$
SMC-1008.1	25	06.75
SMC-1008.2	50	07.55





1009 Weighing Bottles, with interchangeable stopper.			
Cat. No.	O.D. x Ht.(mm)	Capacity(ml)	Price US\$
SMC-1009.1	40x30	20	02.40
SMC-1009.2	50x25	20	03.10
SMC-1009.3	50x35	35	03.20
SMC-1009.4	50x50	50	03.45
SMC-1009.5	60x30	40	04.10
SMC-1009.6	20x40	5	01.00
SMC-1009.7	25x50	15	01.10
SMC-1009.8	30x60	25	01.25
SMC-1009.9	40x80	60	02.75

BURETTES

1010GA Burettes with Straight Bore Glass Key Stopcock, Accuracy as per Class 'A'.				
Cat. No.	Cap. ml.	Sub. Div. ml.	Tolerance \pm ml	Price US\$
SMC-1010GA.1	**10	0.05	0.020	03.85
SMC-1010GA.2	25	0.10	0.050	03.80
SMC-1010GA.3	50	0.10	0.050	03.85
SMC-1010GA.4	100	0.20	0.100	04.95

1010GB Burettes with Straight Bore Glass Key Stopcock, Accuracy as per Class 'B'.				
Cat. No.	Cap. ml.	Sub. Div. ml.	Tolerance \pm ml	Price US\$
SMC-1010GB.1	**10	0.05	0.05	02.05
SMC-1010GB.2	25	0.10	0.10	01.80
SMC-1010GB.3	50	0.10	0.10	02.05
SMC-1010GB.4	100	0.20	0.20	02.50

1010RA Burettes with Screw Type Rotaflow Stopcock with PTFE Key, Accuracy as per Class 'A'.				
Cat. No.	Cap. ml.	Sub. Div. ml.	Tolerance \pm ml	Price US\$
SMC-1010RA.10	**10	0.05	0.020	03.75
SMC-1010RA.25	25	0.10	0.050	03.80
SMC-1010RA.50	50	0.10	0.050	04.65
SMC-1010RA.100	100	0.20	0.100	05.00

1010RB Burettes with Screw Type Rotaflow Stopcock with PTFE Key, Accuracy as per Class 'B'.				
Cat. No.	Cap. ml.	Sub. Div. ml.	Tolerance \pm ml	Price US\$
SMC-1010RB.10	**10	0.05	0.05	02.05
SMC-1010RB.25.10	25	0.10	0.10	01.90
SMC-1010RB.25.5	25	0.05	0.05	02.40
SMC-1010RB.50	50	0.10	0.10	02.05
SMC-1010RB.100	100	0.20	0.20	02.50

1010PA Burettes with Straight Bore PTFE Key, Accuracy as per Class 'A'.				
Cat. No.	Cap. ml.	Sub. Div. ml.	Tolerance $0.177 \pm$ ml	Price US\$
SMC-1010PA.1	**1	0.01	0.006	13.90
SMC-1010PA.2	**2	0.02	0.010	13.90
SMC-1010PA.5	**5	0.02	0.010	13.90
SMC-1010PA.10	**10	0.05	0.020	10.50
SMC-1010PA.25	25	0.10	0.050	10.80
SMC-1010PA.50	50	0.10	0.05	11.85
SMC-1010PA.100	100	0.20	0.100	13.90

** with Cup Top

1010PB Burettes with Straight Bore PTFE Key Stopcock, Accuracy as per Class 'B'.				
Cat. No.	Cap. ml.	Sub. Div. ml.	Tolerance \pm ml	Price US\$
SMC-1010PB.1	**1	0.01	0.01	05.35
SMC-1010PB.2	**2	0.02	0.02	05.35
SMC-1010PB.5	**5	0.02	0.02	05.35
SMC-1010PB.10	**10	0.05	0.05	05.35
SMC-1010PB.25	25	0.10	0.10	06.00
SMC-1010PB.50	50	0.10	0.10	06.20
SMC-1010PB.100	100	0.20	0.20	07.00

** with Cup Top

1011A Burettes, Automatic Zero, mounted on Reservoir with Rotaflow or Glaskey Stopcock				
Accuracy as per Class 'A'.				
Cat. No.	Cap. ml.	Sub. Div. ml.	Tolerance \pm ml	Price US\$
SMC-1011A.10	10	0.05	0.02	54.85
SMC-1011A.25	25	0.10	0.05	54.85
SMC-1011A.50	50	0.10	0.05	56.60
SMC-1011A.100	100	0.20	0.10	63.50

1011B Burettes, Automatic Zero, mounted on Reservoir with Rotaflow or Glaskey Stopcock				
Accuracy as per Class 'B'.				
Cat. No.	Cap. ml.	Sub. Div. ml.	Tolerance \pm ml	Price US\$
SMC-1011B.10	10	0.05	0.05	39.50
SMC-1011B.25	25	0.10	0.10	39.50
SMC-1011B.50	50	0.10	0.10	41.15
SMC-1011B.100	100	0.20	0.20	46.25

GAS APPARATUS

1012 Gas Washing Bottles, Dreshle's type, interchangeable joints.		
Cat. No.	Capacity(ml)	Price US\$
SMC-1012.1	125	07.30
SMC-1012.2	250	08.75
SMC-1012.3	500	10.30

1012SB Spare Bottle for Gas Wash Bottles,		
Cat. No.	Capacity(ml)	Price US\$
SMC-1012SB.1	125	05.30
SMC-1012SB.2	250	06.95
SMC-1012SB.3	500	08.25

1012SH Spare Head, for above gas wash bottles.		
Cat. No.	Capacity(ml)	Price US\$
SMC-1012SH.1	125	02.40
SMC-1012SH.2	250	02.75
SMC-1012SH.3	500	02.75

1013 Gas Jar, with ground Glass flat flange.		
Cat. No.	Capacity(ml)	Price US\$
SMC-1013.1	250	07.20
SMC-1013.2	500	10.30
SMC-1013.3	1000	13.75

ARSENIC APPARATUS

1015	Arsenic Apparatus, According to B.P. specifications with Indian glass bottle. 903. Arsenic Apparatus, (Silver Diethyldithio carbonate method).	US\$-04.45
------	---	-------------------

1016	Arsenic Apparatus, for the determination of Arsenic and Sb. in brass, bronze, ferrous and non-ferrous alloys etc. by distillation, without stand, clamp and burner.	US\$-19.75
------	--	-------------------

1017	Arsenic Determination Apparatus, Gutzeit (modified) comprising of 100ml bottle with interchangeable fitting. The Arsenic tube is in two parts with ground flange ends, together with 30ml open to top funnel attached in the bottle.	US\$-12.85
------	---	-------------------

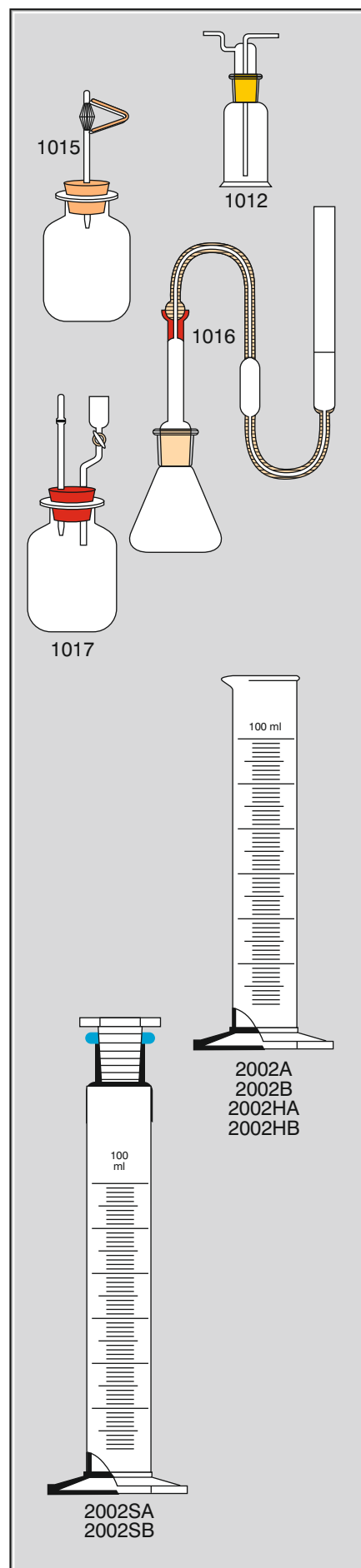
MEASURING CYLINDERS

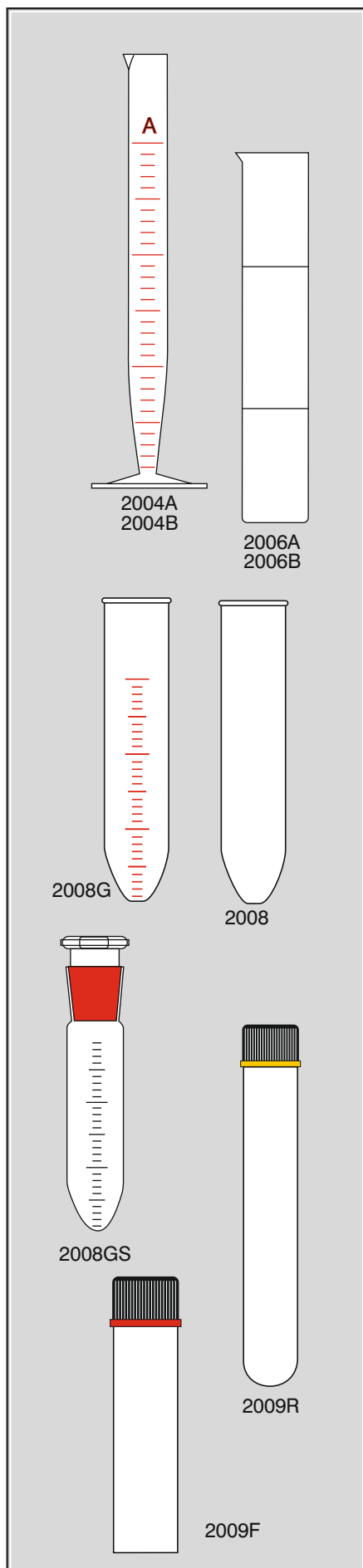
2002A Measuring Cylinders, with spout and break resistant collar, Class 'A'.				
Cat. No.	Cap.(ml)	Sub. Div.(ml)	Tolerance(±ml)	Price US\$
SMC-2002A.1	5	0.1	0.05	01.55
SMC-2002A.2	10	0.2	0.10	01.75
SMC-2002A.3	25	0.5	0.25	02.05
SMC-2002A.4	50	1.0	0.50	02.60
SMC-2002A.5	100	1.0	0.50	03.45
SMC-2002A.6	250	2.0	1.00	05.15
SMC-2002A.7	500	5.0	2.50	06.20
SMC-2002A.8	1000	10.0	5.00	10.15

2002B. Measuring Cylinders, with spout and break resistant collar, Class 'B'.				
Cat. No.	Cap.(ml)	Sub. Div.(ml)	Tolerance(±ml)	Price US\$
SMC-2002B.1	5	0.1	0.1	00.73
SMC-2002B.2	10	0.2	0.2	00.76
SMC-2002B.3	25	0.5	0.5	01.05
SMC-2002B.4	50	1.0	1.0	01.20
SMC-2002B.5	100	1.0	1.0	01.90
SMC-2002B.6	250	2.0	2.0	02.90
SMC-2002B.7	500	5.0	5.0	03.85
SMC-2002B.8	1000	10.0	10.0	06.50
SMC-2002B.9	2000	20.0	20.0	15.25

2002SA Measuring Cylinders, with interchangeable stopper, Class 'A'.				
Cat. No.	Cap.(ml)	Sub. Div.(ml)	Tolerance(±ml)	Price US\$
SMC-2002SA.1	10	0.2	0.10	03.25
SMC-2002SA.2	25	0.5	0.25	03.80
SMC-2002SA.3	50	1.0	0.50	04.65
SMC-2002SA.4	100	1.0	0.50	06.00
SMC-2002SA.5	250	2.0	1.00	09.60
SMC-2002SA.6	500	5.0	2.50	12.00
SMC-2002SA.7	1000	10.0	5.00	18.00

2002SB Measuring Cylinders, with interchangeable stopper, class 'B'.				
Cat. No.	Cap.(ml)	Sub. Div.(ml)	Tolerance(±ml)	Price US\$
SMC-2002SB.1	10	0.2	0.2	01.90
SMC-2002SB.2	25	0.5	0.5	02.25
SMC-2002SB.3	50	1.0	1.0	02.75
SMC-2002SB.4	100	1.0	1.0	03.80
SMC-2002SB.5	250	2.0	2.0	06.35
SMC-2002SB.6	500	5.0	5.0	08.40
SMC-2002SB.7	1000	10.0	10.0	12.00





2002HA Measuring Cylinders, with Hexagonal Base Class 'A'.		
Cat. No.	Cap.(ml)	Price US\$
SMC-2002HA.1	10	03.10
SMC-2002HA.2	25	03.60
SMC-2002HA.3	50	03.95
SMC-2002HA.4	100	04.95
SMC-2002HA.5	250	10.10
SMC-2002HA.6	500	12.20
SMC-2002HA.7	1000	20.50

2002HB Measuring Cylinders, with Hexagonal Base, Class 'B'.		
Cat. No.	Cap.(ml)	Price US\$
SMC-2002HB.1	10	02.10
SMC-2002HB.2	25	02.40
SMC-2002HB.3	50	02.58
SMC-2002HB.4	100	03.25
SMC-2002HB.5	250	-----
SMC-2002HB.6	500	07.55
SMC-2002HB.7	1000	13.70

2004A. Crow Receiver, Class 'A'.			
Cat. No.	Cap. (ml)	Tolerance(±ml)	Price US\$
SMC-2004A.1	25	0.04 & 0.1	04.60
SMC-2004A.2	50	0.1 & 0.2	05.30
SMC-2004A.3	100	0.2 & 0.4	07.30

2004B. Crow Receiver, Class 'B'.		
Cat. No.	Cap. (ml)	Price US\$
SMC-2004B.1	25	03.45
SMC-2004B.2	50	04.10
SMC-2004B.3	100	05.30

2004SB Crow Receiver, Stoppered, Class B		
Cat. No.	Cap. (ml)	Price US\$
SMC-2004SB.1	25	04.10
SMC-2004SB.2	50	05.30
SMC-2004SB.3	100	06.50

2006A Nessler Cylinder, for colour comparison Class 'A', graduated.				
Cat. No.	Cap. (ml)	Sub. Div. (mm)	Tolerance(±ml)	Price US\$
SMC-2006A.1	50	25 & 50	0.4	01.70
SMC-2006A.2	100	50 & 100	0.8	02.15

2006B. Nessler Cylinder, for colour comparison graduated.			
Cat. No.	Cap. (ml)	Sub. Div. (mm)	Price US\$
SMC-2006B.1	50	25 & 50	00.85
SMC-2006B.2	100	50 & 100	01.20

TUBES

2008 Centrifuge Tube, Conical Bottom, Plain.			
Cat. No.	Capacity(ml)	Height x O.D(mm)	Price US\$
SMC-2008.1	10	110 x 15	00.34
SMC-2008.2	15	120 x 17	00.40
SMC-2008.3	50	125 x 28	01.25

2008G Centrifuge Tube, Conical Bottom, Graduated.			
Cat. No.	Capacity(ml)	Height x O.D(mm)	Price US\$
SMC-2008G.1	10	110 x 15	00.55
SMC-2008G.2	15	120 x 17	-----
SMC-2008G.3	50	125 x 28	2.05

2008GS Centrifuge Tube, Conical Bottom, Graduated with interchangeable stopper.		
Cat. No.	Capacity(ml)	Price US\$
SMC-2008GS.1	10	01.35
SMC-2008GS.2	15	01.45
SMC-2008GS.3	50	03.25

2009F Culture Tubes, Flat Bottom, with Screw Cap & Rubber Liner.			
Cat. No.	Capacity(ml)	O.D. x Length(mm)	Price US\$
SMC-2009F.1	5	16 x 50	00.25
SMC-2009F.2	15	25 x 57	00.31
SMC-2009F.3	30	25 x 95	00.44

2009R Culture Tubes, Round Bottom, with Screw Cap & Rubber Liner.			
Cat. No.	Capacity(ml)	O.D. x Length(mm)	Price US\$
SMC-2009R.1	5	16 x 75	00.25
SMC-2009R.2	10	16 x 125	00.30
SMC-2009R.3	30	25 x 100	00.44
SMC-2009R.4	60	25 x 200	00.65

CONDENSERS

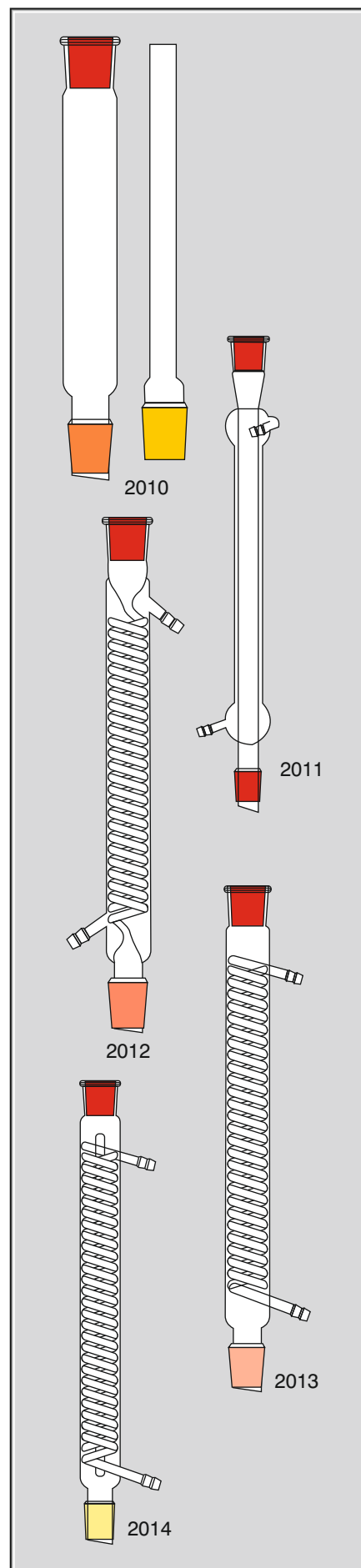
2010. Air Condensers					
Cat. No.	Socket	Cone	Effective Length(mm)	Price US\$	
SMC-2010.1	B14	B14	200	01.35	
SMC-2010.2	B19	B19	200	01.55	
SMC-2010.3	B24	B24	250	01.70	
SMC-2010.4	B19	B19	400	02.00	
SMC-2010.5	B24	B24	500	02.75	
SMC-2010.6	B34	B34	500	05.50	
SMC-2010.7	B19	B19	600	03.00	
SMC-2010.8	B24	B24	750	03.40	
SMC-2010.9	-	B19	750	02.20	
SMC-2010.10	-	B24	750	02.40	
SMC-2010.11	-	B19	1000	02.90	
SMC-2010.12	-	B24	1000	03.00	

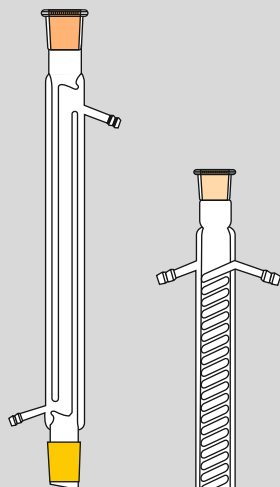
2011. Liebig Condensers					
Cat. No.	Socket	Cone	Effective Length(mm)	Price US\$	
SMC-2011.1	B14	B14	150	02.20	
SMC-2011.2	B19	B19	200	02.40	
SMC-2011.3	B24	B24	200	02.57	
SMC-2011.4	B19	B19	300	02.75	
SMC-2011.5	B24	B24	300	02.90	
SMC-2011.6	B19	B19	350	03.00	
SMC-2011.7	B24	B24	350	03.25	
SMC-2011.8	B19	B19	400	03.40	
SMC-2011.9	B24	B24	400	03.95	
SMC-2011.10	B24	B24	500	04.45	
SMC-2011.11	B24	B24	600	-----	
SMC-2011.12	B24	B24	750	-----	
SMC-2011.13	B34	B34	500	-----	
SMC-2011.14	B34	B34	600	-----	
SMC-2011.15	B34	B34	750	-----	
SMC-2011.16	B34	B34	900	-----	
SMC-2011.17	-	B19	300	-----	
SMC-2011.18	-	B24	350	-----	
SMC-2011.19	-	B34	250	-----	

2012. Coil Condensers, Graham, Coiled Distillate Type.					
Cat. No.	Socket	Cone	Effective Length(mm)	Price US\$	
SMC-2012.1	B14	B14	150	05.30	
SMC-2012.2	B19	B19	200	05.65	
SMC-2012.3	B19	B19	250	06.15	
SMC-2012.4	B24	B24	250	06.15	
SMC-2012.5	B19	B19	300	06.65	
SMC-2012.6	B24	B24	300	07.35	
SMC-2012.7	B24	B24	400	08.40	
SMC-2012.8	B24	B24	500	10.45	
SMC-2012.9	B34	B34	500	13.55	
SMC-2012.10	B34	B34	600	15.25	

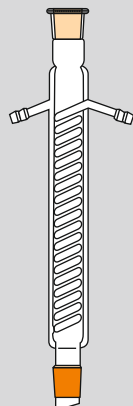
2013. Coil Condensers, Graham, Jacket Distillate Type.					
Cat. No.	Socket	Cone	Effective Length(mm)	Price US\$	
SMC-2013.1	B14	B14	150	05.31	
SMC-2013.2	B19	B19	200	05.65	
SMC-2013.3	B19	B19	250	06.15	
SMC-2013.4	B24	B24	250	06.15	
SMC-2013.5	B19	B19	300	06.65	
SMC-2013.6	B24	B24	300	07.35	
SMC-2013.7	B24	B24	400	08.40	
SMC-2013.8	B24	B24	500	10.45	
SMC-2013.9	B34	B34	500	13.55	
SMC-2013.10	B34	B34	600	15.25	

2014. Double Coil Condensers, with Common Inlet.					
Cat. No.	Socket	Cone	Effective Length(mm)	Price US\$	
SMC-2014.1	B19	B19	200	15.45	
SMC-2014.2	B24	B24	200	15.85	
SMC-2014.3	B34	B34	350	39.00	
SMC-2014.4	B34	B34	450	55.70	
SMC-2014.5	B34	B34	600	68.15	

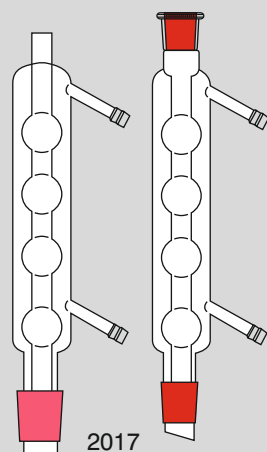




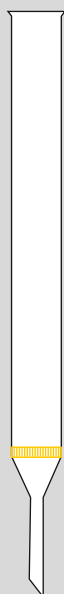
2015



2016



2017



2018

2015. Davies Condensers, (Double Surface).

Cat. No.	Socket	Cone	Effective Length(mm)	Price US\$
SMC-2015.1	B19	B19	150	07.27
SMC-2015.2	B24	B24	150	07.35
SMC-2015.3	B19	B19	200	07.70
SMC-2015.4	B24	B24	200	07.90
SMC-2015.5	B29	B29	200	08.20
SMC-2015.6	-	B19	200	07.35
SMC-2015.7	-	B24	200	07.55
SMC-2015.8	-	B34	200	09.95
SMC-2015.9	-	B19	250	07.55
SMC-2015.10	B19	B19	250	07.90
SMC-2015.11	B24	B24	250	08.25
SMC-2015.12	B19	B19	300	08.25
SMC-2015.13	B24	B24	300	08.90
SMC-2015.14	B24	B24	400	10.95
SMC-2015.15	B24	B24	500	15.45
SMC-2015.16	B34	B34	500	18.00
SMC-2015.17	B34	B34	600	19.70

2016. Jacketed Coil Condensers

Cat. No.	Socket	Cone	Effective Length(mm)	Price US\$
SMC-2016.1	B19	B19	150	08.50
SMC-2016.2	B24	B24	150	08.80
SMC-2016.3	-	B34	150	08.50
SMC-2016.4	-	B40	150	10.45
SMC-2016.5	B19	B19	200	09.60
SMC-2016.6	B24	B24	200	09.75
SMC-2016.7	B19	B19	300	11.55
SMC-2016.8	B24	B24	300	12.25
SMC-2016.9	B24	B24	400	15.35
SMC-2016.10	B34	B34	400	16.85
SMC-2016.11	B34	B34	500	24.85

2017. Allihn Condensers (Bulb Condenser).

Cat. No.	Socket	Cone	Effective Length(mm)	Price US\$
SMC-2017.1	-	B19	200	05.30
SMC-2017.2	-	B24	200	05.48
SMC-2017.3	-	B29	200	05.65
SMC-2017.4	-	B34	200	06.00
SMC-2017.5	-	B40	200	06.34
SMC-2017.6	-	B50	200	08.22
SMC-2017.7	-	B50	250	08.55
SMC-2017.8	B19	B19	200	06.00
SMC-2017.9	B24	B24	200	06.35
SMC-2017.10	B19	B19	300	06.85
SMC-2017.11	B24	B24	300	07.10
SMC-2017.12	B24	B24	400	08.30
SMC-2017.13	B24	B24	500	09.95
SMC-2017.14	B34	B34	500	11.15
SMC-2017.15	B34	B34	600	13.55
SMC-2017.16	B34	B34	750	20.55

CHROMATOGRAPHIC APPARATUS

2018 Chromatography Columns, with integral sintered disc., without stopcock.

Cat. No.	Effective Length(cm)	Disc Dia(mm)	Price US\$
SMC-2018.1	15	10	02.40
SMC-2018.2	20	15	03.00
SMC-2018.3	30	15	03.60
SMC-2018.4	40	20	04.45
SMC-2018.5	40	30	04.97
SMC-2018.6	50	30	06.00
SMC-2018.7	50	40	10.28
SMC-2018.8	60	40	12.00
SMC-2018.9	100	40	14.00

2018S Chromatography Columns, with integral sintered disc., and stopcock.			
Cat. No.	Effective Length(cm)	Disc Dia(mm)	Price US\$
SMC-2018S.1	15	10	03.95
SMC-2018S.2	20	15	04.26
SMC-2018S.3	30	15	05.30
SMC-2018S.4	40	20	06.00
SMC-2018S.5	40	30	06.35
SMC-2018S.6	50	30	07.00
SMC-2018S.7	50	40	11.80
SMC-2018S.8	60	40	13.80
SMC-2018S.9	100	40	15.85

2019 Fractionating Columns, Plain				
Cat. No.	Socket	Cone	Effective Length(mm)	Price US\$
SMC-2019.1	B24	B24	250	02.57
SMC-2019.2	B24	B24	500	03.00
SMC-2019.3	B24	B24	750	04.60
SMC-2019.4	B34	B24	250	03.77
SMC-2019.5	B34	B24	500	04.80
SMC-2019.6	B34	B34	600	06.00

FRACTIONATING COLUMNS

2019V Fractionating Columns, Vigrex.				
Cat. No.	Socket	Cone	Effective Length(mm)	Price US\$
SMC-2019V.1	B24	B24	300	06.35
SMC-2019V.2	B24	B24	600	08.55
SMC-2019V.3	B29	B29	360	07.80
SMC-2019V.4	B34	B34	750	11.80

2020 Chromatography Sprayers, with rubber bellow.			
Cat. No.	Capacity(ml)	Price US\$	
SMC-2020.1	100	03.40	
SMC-2020.2	150	04.10	

2021 Calcium Chloride Tube, U shape with side tube and interchangeable stopper.			
Cat. No.	Size(mm)	Price US\$	
SMC-2021.1	125 x 15	04.80	
SMC-2021.2	150 x 18	05.15	

CARBON, SULPHUR DETERMINATION APPARATUS GLASS PARTS

2024	Absorption Vessel, with 3 valves, for KOH.	42.85
-------------	---	-------

2026 Carbon Burettes Double Walled, Inner tube permanently graduated, with one valve at the top.			
Cat. No.	Size%	Price US\$	
SMC-2026.1	0.25	37.70	
SMC-2026.2	0.50	37.70	
SMC-2026.3	1.50	39.70	
SMC-2026.4	4.50	42.00	

2028	Thermometer Stem Type 50° C, Alcohol filled for Carbon Burettes.	00.85
-------------	---	-------

2030	Sulphur Burette, with automatic zero, three way double oblique bore stopcock at the bottom.	15.40
-------------	--	-------

2032	Stopcock, Three way, C bore, T shape.	08.55
-------------	--	-------

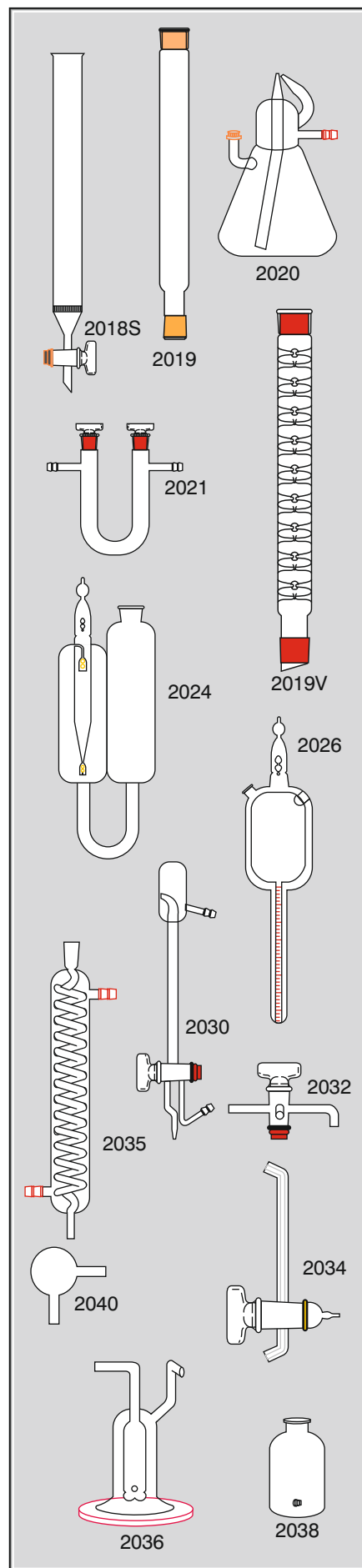
2034	Stopcock, L shaped, Long Glass Tube, Twin Bore Stopper.	08.55
-------------	--	-------

2035	Spiral Cooling Condenser	05.15
-------------	---------------------------------	-------

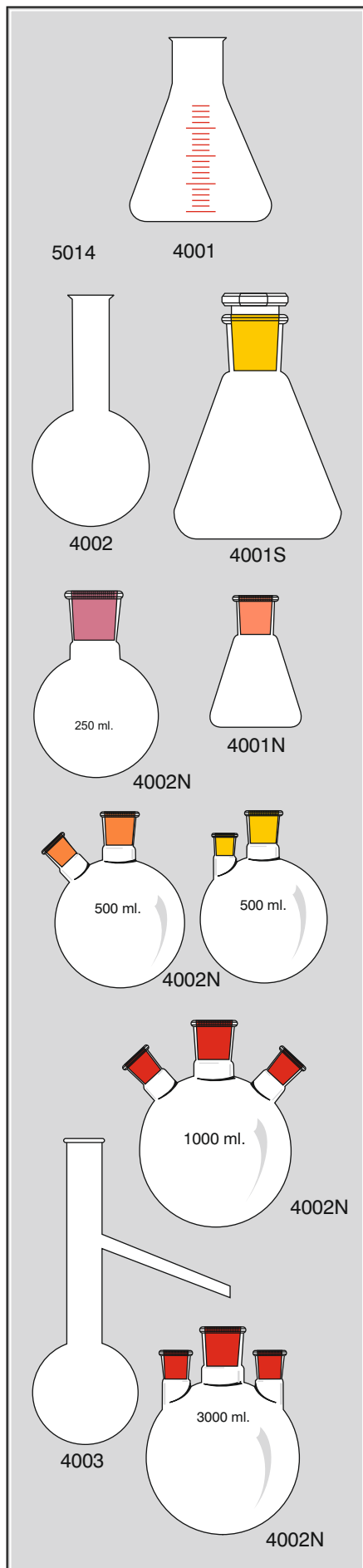
2036	Oxygen Purifying Assembly,	06.85
-------------	-----------------------------------	-------

2038	Aspirator Bottle (Leveling Bottle) for carbon burette, 1000 ml. capacity.	05.80
-------------	--	-------

2040	View Bulb, for combustion tube.	00.85
-------------	--	-------



FLASKS



4001. Flasks Conical Erlenmeyer's,		
Cat. No.	Capacity (ml)	Price US\$
SMC-4001.1	5	00.60
SMC-4001.2	10	00.60
SMC-4001.3	25	00.60
SMC-4001.4	50	00.68
SMC-4001.5	100	00.85
SMC-4001.6	150	01.05
SMC-4001.7	250	01.30
SMC-4001.8	500	02.00
SMC-4001.9	1000	03.60
SMC-4001.10	2000	07.70
SMC-4001.11	3000	12.70
SMC-4001.12	5000	29.00

4001S. Flasks Conical, with Interchangeable Stopper.		
Cat. No.	Capacity (ml)	Price US\$
SMC-4001S.1	25	01.10
SMC-4001S.2	50	01.45
SMC-4001S.3	100	01.90
SMC-4001S.4	150	02.15
SMC-4001S.5	250	02.75
SMC-4001S.6	500	03.50
SMC-4001S.7	1000	05.50
SMC-4001S.8	2000	10.00

4001N. Flasks Conical, Short or Medium neck with socket.			
Cat. No.	Capacity (ml)	Socket	Price US\$
SMC-4001N.1	25	B14	01.00
SMC-4001N.2	50	B14 or B19	01.25
SMC-4001N.3	100	B19 or B24	01.55
SMC-4001N.4	150	B19 or B24	01.70
SMC-4001N.5	250	B24 or B29	02.20
SMC-4001N.6	500	B29 or B24	03.00
SMC-4001N.7	1000	B29 or B24	04.95
SMC-4001N.8	2000	B24 or B34	09.40

Note: Please do mention the size of the socket, while placing order.

4002. Flask, Round/Flat Bottom Flask,		
Cat. No.	Capacity (ml)	Price US\$
SMC-4002.1	5	00.61
SMC-4002.2	10	00.61
SMC-4002.3	25	00.61
SMC-4002.4	50	00.68
SMC-4002.5	100	00.85
SMC-4002.6	150	01.00
SMC-4002.7	250	01.30
SMC-4002.8	500	02.00
SMC-4002.9	1000	03.60
SMC-4002.10	2000	07.70
SMC-4002.11	3000	12.70
SMC-4002.12	5000	29.00
SMC-4002.13	10000	60.00
SMC-4002.14	20000	-----

4002N. Flask Flat or Round Bottom, Multiple Necks, with angle or Parallel Necks					
Cat. No.	Capacity(ml)	Single Neck	Two Neck	Three Neck	Four Neck
SMC-4002.1	5	00.64	-	-	-
SMC-4002.2	10	00.64	-	-	-
SMC-4002.3	25	00.71	-	-	-
SMC-4002.4	50	00.85	-	-	-
SMC-4002.5	100	01.00	02.30	03.40	-
SMC-4002.6	150	01.30	-	-	-
SMC-4002.7	250	01.60	03.15	04.00	-
SMC-4002.8	500	02.85	04.30	05.40	07.90
SMC-4002.9	1000	04.30	06.40	07.70	10.50
SMC-4002.10	2000	08.60	10.70	11.40	15.40
SMC-4002.11	3000	14.25	17.85	20.15	09.50
SMC-4002.12	5000	20.00	30.00	32.85	42.00
SMC-4002.13	10000	51.40	54.25	57.00	73.50
SMC-4002.14	20000	98.50	-	-	137.00

Note: Please domention flat or round bottom, short or medium neck and the size of the socket while placing order

4003. Distillation Flask with Side Tube.		
Cat. No.	Capacity (ml)	Price US\$
SMC-4003.1	100	02.40
SMC-4003.2	125	02.50
SMC-4003.3	250	02.75

4004. Filtration Flasks			
Cat. No.	Capacity (ml)	Price US\$	
SMC-4004.1	100	02.00	
SMC-4004.2	250	02.70	
SMC-4004.3	500	04.15	
SMC-4004.4	1000	06.60	
SMC-4004.5	2000	12.55	
SMC-4004.6	5000	47.10	

4005S. Kjeldahl Flask with Socket			
Cat. No.	Capacity (ml)	Socket	Price US\$
SMC-4005S.1	300	B24	04.10
SMC-4005S.2	500	B24	05.70
SMC-4005S.3	800	B24	06.85

4005. Kjeldahl Flasks, Round Bottom, Long Neck.			
Cat. No.	Capacity (ml)	Price US\$	
SMC-4005.1	100	01.55	
SMC-4005.2	300	03.15	
SMC-4005.3	500	04.45	
SMC-4005.4	800	05.55	

4006. Iodine Flasks, with Flaring, Funnel Shaped Cup.			
Cat. No.	Capacity (ml)	Price US\$	
SMC-4006.1	100	02.00	
SMC-4006.2	250	02.35	
SMC-4006.3	500	03.00	
SMC-4006.4	1000	06.00	

4008. Flasks Reaction, Wide Mouth, Flat flange 100mm I.D. 150mm O.D.			
Cat. No.	Capacity(ml)	Price US\$	
SMC-4008.1	1000	15.75	
SMC-4008.2	2000	21.45	
SMC-4008.3	3000	35.75	
SMC-4008.4	5000	47.15	
SMC-4008.5	10000	99.75	
SMC-4008.6	20000	171.50	

4008L.	Lids for Reaction Flasks, Flat flange 100mm I.D. 150mm O.D. with multiple Socket.	26.50
--------	---	-------

4008C.	Stainless Steel Clips, with wing nuts for holding 100 mm flat flanges with 4/5 Necks	02.85
--------	--	-------

MEASURING/VOLUMETRIC FLASKS

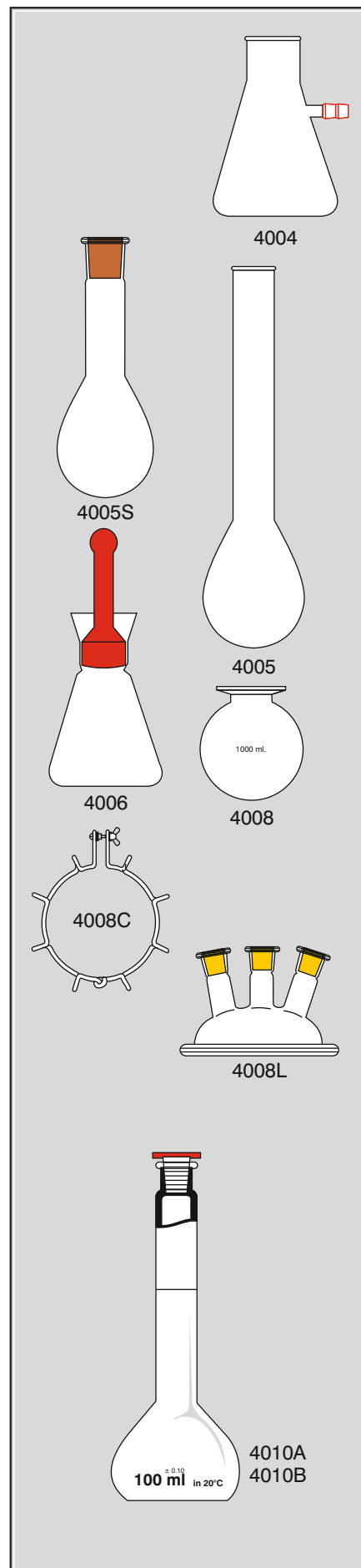
4010A Volumetric (Measuring) Flask with interchangeable stopper, accuracy as per class 'A'				
Cat. No.	Capacity (ml)	Tolerance(±ml)	Stopper Size	Price US\$
SMC-4010A.1	*1	0.010	10/15	05.00
SMC-4010A.2	*2	0.015	10/15	05.00
SMC-4010A.3	5	0.025	10/15	05.00
SMC-4010A.4	10	0.025	10/15	04.00
SMC-4010A.5	25	0.040	10/15	04.00
SMC-4010A.6	50	0.060	10/15	04.00
SMC-4010A.7	100	0.100	14/15	04.30
SMC-4010A.8	200	0.150	14/15	05.75
SMC-4010A.9	250	0.150	14/15	05.80
SMC-4010A.10	500	0.250	19/20	07.15
SMC-4010A.11	1000	0.400	19/20	10.70
SMC-4010A.12	2000	0.600	24/25	19.50

* 1ml. and 2ml. Volumetric Flasks are of Test Tube shape.

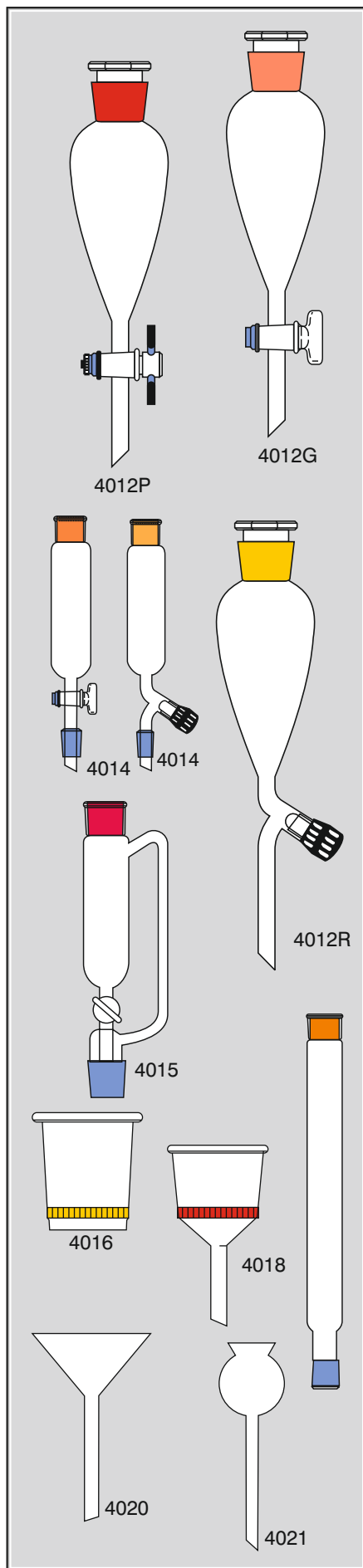
4010B Volumetric (Measuring) Flask with Interchangeable stopper, accuracy as per class 'B'.				
Cat. No.	Capacity (ml)	Tolerance(±ml)	Stopper Size	Price US\$
SMC-4010B.1	*1	0.02	10/15	02.10
SMC-4010B.2	*2	0.03	10/15	02.10
SMC-4010B.3	5	0.05	10/15	01.95
SMC-4010B.4	10	0.05	10/15	01.80
SMC-4010B.5	25	0.08	10/15	01.70
SMC-4010B.6	50	0.12	10/15	01.90
SMC-4010B.7	100	0.20	14/15	02.30
SMC-4010B.8	200	0.30	14/15	02.57
SMC-4010B.9	250	0.30	14/15	02.64
SMC-4010B.10	500	0.50	19/20	03.45
SMC-4010B.11	1000	0.80	19/20	05.30
SMC-4010B.12	2000	1.50	24/29	14.28

*1ml. and 2ml. Volumetric Flasks are of Test Tube shape.

Note: Above Volumetric Flasks can also be supplied with Plastic Stoppers on request.



SEPARATING/DROPPING FUNNELS



4012G Separating Funnels, with Stopcock, Interchangeable Stopper, Conical/Pear Shape with Plain Stem.		
Cat. No.	Capacity(ml)	Price US\$
SMC-4012G.1	50/60	02.40
SMC-4012G.2	100/125	02.55
SMC-4012G.3	250	03.00
SMC-4012G.4	500	05.55
SMC-4012G.5	1000	10.45
SMC-4012G.6	2000	14.00

4012R Separating Funnels, with Screw Type PTFE Key, Rotaflow Stopcock, Interchangeable Stopper, Conical/Pear Shape, Plain Stem.		
Cat. No.	Capacity(ml)	Price US\$
SMC-4012R.1	50/60	02.40
SMC-4012R.2	100/125	02.55
SMC-4012R.3	250	03.00
SMC-4012R.4	500	05.55
SMC-4012R.5	1000	10.45
SMC-4012R.6	2000	14.00
SMC-4012R.7	5000	-----

4012P Separating Funnels, with PTFE Key Stopcock, Interchangeable Stopper, Conical/Pear Shape, Plain Stem.		
Cat. No.	Capacity(ml)	Price US\$
SMC-4012P.1	50/60	05.80
SMC-4012P.2	100/125	06.15
SMC-4012P.3	250	06.70
SMC-4012P.4	500	11.15
SMC-4012P.5	1000	17.15
SMC-4012P.6	2000	-----

4014 Dropping Funnels, Cylindrical, with Socket, Glass or Rotaflow, Stopcock and Stem with Cone but without Stopper.				
Cat. No.	Capacity(ml)	Socket	Cone	Price US\$
SMC-4014.1	100	B19	B19	04.35
SMC-4014.2	250	B24	B24	07.00
SMC-4014.3	500	B24	B24	10.10
SMC-4014.4	1000	B24	B24	15.60

4015 Pressure Equalising Funnels, Cylindrical, with Socket, Stopcock and Stem with Cone.				
Cat. No.	Capacity(ml)	Socket	Cone	Price US\$
SMC-4015.1	100	B24	B24	07.00
SMC-4015.2	250	B24	B24	08.75
SMC-4015.3	500	B24	B24	11.65

SINTERED GLASSWARE

4016 Gooch Crucible, with Sintered Disc of Porosity G-1 or G-2 or G-3 or G-4.		
Cat. No.	Capacity(ml)	Price US\$
SMC-4016.1	15	01.20
SMC-4016.2	30	01.35
SMC-4016.3	50	02.40

4018 Buckner Funnel, with Sintered Disc of Porosity G-1 or G-2 or G-3 or G-4.			
Cat. No.	Capacity(ml)	Disc Dia(mm)	Price US\$
SMC-4018.1	35	30	02.00
SMC-4018.2	50	40	03.25
SMC-4018.3	80	40	04.45
SMC-4018.4	100	40	05.80
SMC-4018.5	200	65	08.15
SMC-4018.6	500	90	23.50
SMC-4018.7	1000	125	54.75
SMC-4018.8	1500	125	65.15
SMC-4018.9	2000	125/140	104.00
SMC-4018.10	3000	140	121.00

4020 Funnel, 60 Degree angle with stem.		
Cat. No.	Diameter(mm)	Price US\$
SMC-4020.1	50	00.51
SMC-4020.2	65	00.68
SMC-4020.3	75	00.90
SMC-4020.4	100	01.20

4021	Thistle Funnel, 30cm stem.	00.68
-------------	-----------------------------------	-------

4022 Petri Dish.			
Cat. No.		Size mm	Price US\$
SMC-4022.1		50	01.25
SMC-4022.2		80	01.40
SMC-4022.3		100	01.70
SMC-4022.4		125	04.95
SMC-4022.5		150	06.35
SMC-4022.6		200	14.40

WATER DISTILLATIONS

4024 All glass Distillation Apparatus, Cut Design, heater embedded in spiral glass tube complete with C.I. heavy base, S.S. Rod, Clamps, Board etc. Electrically Heated Model.			
Cat. No.	Flask Cap.	Description	Price US\$
SMC-4024.1	3 Litre	Single Distillation without Cut-off.	157.50
SMC-4024.2	3 Litre	Single Distillation with thermal auto Cut-off.	205.00
SMC-4024.3	5 Litre	Single Distillation without Cut-off.	192.00
SMC-4024.4	5 Litre	Single Distillation with thermal auto Cut-off.	214.00
SMC-4024.5	10 Litre	Single Distillation without Cut-off.	290.00
SMC-4024.6	10 Litre	Single Distillation with thermal auto Cut-off.	358.00
SMC-4024.7	3 Litre	Double Distillation without Cut-off.	315.00
SMC-4024.8	3 Litre	Double Distillation with thermal auto Cut-off.	377.00
SMC-4024.9	5 Litre	Double Distillation without Cut-off.	385.00
SMC-4024.10	5 Litre	Double Distillation with thermal auto Cut-off.	449.00
SMC-4024.11	10 Litre	Double Distillation without Cut-off.	582.00
SMC-4024.12	10 Litre	Double Distillation with thermal auto Cut-off.	651.00
SMC-4024.13	3 Litre	Triple Distillation without Cut-off.	473.00
SMC-4024.14	3 Litre	Triple Distillation with thermal auto Cut-off.	582.00
SMC-4024.15	5 Litre	Triple Distillation without Cut-off.	576.00
SMC-4024.16	5 Litre	Triple Distillation with thermal auto Cut-off.	668.00
SMC-4024.17	10 Litre	Triple Distillation without Cut-off.	874.00
SMC-4024.18	10 Litre	Triple Distillation with thermal auto Cut-off.	960.00

MOISTURE DETERMINATION APPARATUS

4026 Dean and Stark. Apparatus (Moisture Determination)			
Cat. No.	Cap. of Receiver without stopcock	Cap. of R.B. Flask(ml)	Price US\$
SMC-4026.1	2ml	250	11.15
SMC-4026.2	5ml	500	13.20
SMC-4026.3	10ml	1000	15.40
SMC-4026.4	25ml	1000	16.28
SMC-4026.5	100ml	1000	18.00

4026S Dean and Stark. Apparatus (Moisture Determination)			
Cat. No.	Cap. of Receiver with stopcock	Cap. of R.B. Flask(ml)	Price US\$
SMC-4026S.1	2ml	250	12.00
SMC-4026S.2	5ml	500	14.00
SMC-4026S.3	10ml	1000	16.25
SMC-4026S.4	25ml	1000	17.10
SMC-4026S.5	100ml	1000	18.85

4026RS Spare receiver for Dean and Stark with stopcock			
Cat. No.	Capacity(ml)		Price US\$
SMC-4026RS.1	2		06.86
SMC-4026RS.2	5		07.55
SMC-4026RS.3	10		08.55
SMC-4026RS.4	25		08.85

4026R Spare receiver for Dean and Stark without stopcock			
Cat. No.	Capacity(ml)		Price US\$
SMC-4026R.1	2		06.00
SMC-4026R.2	5		06.65
SMC-4026R.3	10		07.70
SMC-4026R.4	25		08.20

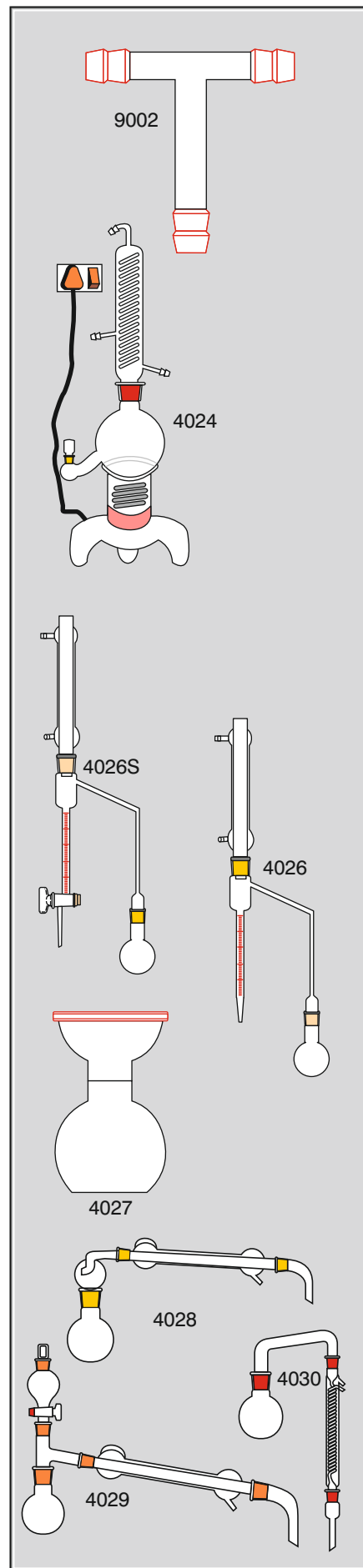
4027 Saybolt Viscosity Flask, Capacity 60ml. height 85mm.			03.25
---	--	--	-------

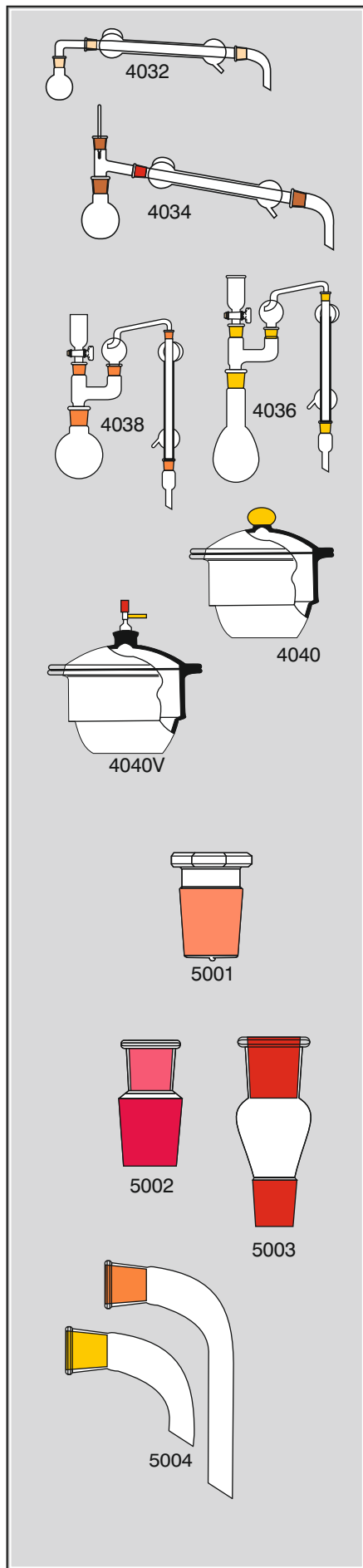
INTERCHANGEABLE GROUND JOINTS ASSEMBLIES

4028 Distillation Assembly, consists of R.B. Flask, splash head double surface condenser and receiver adapter.			
Cat. No.	Flask Capacity(ml)	Condenser effective length(mm)	Price US\$
SMC-4028.1	2000	200	20.55
SMC-4028.2	3000	300	30.85
SMC-4028.3	5000	400	48.00
SMC-4028.4	10000	600	85.70

4029 Distillation Apparatus, consists of R.B. Flask 500ml. still head, Liebig condenser 400mm., receiver adapter separating funnel 100ml. and stopper.			15.40
--	--	--	-------

4030 Distillation Apparatus, consists of R.B. Flask 1000ml. recovery bend, Inland revenue condenser 200mm. and receiver adapter.			24.85
--	--	--	-------





4032 Distillation Apparatus , consists of R.B. Flask recovery bend, Liebig condenser and receiver adapter.			
Cat. No.	Flask Capacity(ml)	Condenser effective length(mm)	Price US\$
SMC-4032.1	250	200	07.70
SMC-4032.2	500	300	09.40
SMC-4032.3	1000	350	13.70
SMC-4032.4	2000	400	21.40

4034 Preparation Assembly , consists of R.B. Flask, Still Head, Thermometer, Liebig condenser and receiver adapter.			
Cat. No.	Flask Capacity(ml)	Condenser effective length(mm)	Price US\$
SMC-4034.1	500	300	12.65
SMC-4034.2	1000	350	16.90
SMC-4034.3	2000	400	23.55

4036 Kjeldhal Distillation Assembly , consists of Kjeldhal Flask 800ml., multiple adapter two necks, splash head vertical, Liebig condenser, receiver adapter and dropping funnel 100ml.			
			24.00

4038 Kjeldhal Distillation Assembly , consists of R.B. Flask 1000ml., multiple adapter two necks, splash head vertical, Liebig condenser, receiver adapter and dropping funnel 100ml.			
			24.00

4040 Dessicator with lid, Plain, Die pressed, Neutral Glass with Porcelain perforated plate, 'GLACIER'.			
Cat. No.	I.D.(mm)		Price US\$
SMC-4040.1	100m/4"		14.00
SMC-4040.2	150m/6"		18.15
SMC-4040.3	180m/7"		24.85
SMC-4040.4	210m/8"		32.55
SMC-4040.5	240m/10"		49.75
SMC-4040.6	300m/12"		78.50

4040V Dessicator with lid, Vacuum, Die pressed, Neutral Glass with Porcelain perforated plate and glass Stopcock			
Cat. No.	I.D.(mm)		Price US\$
SMC-4040V.1	150m/6"		31.70
SMC-4040V.2	180m/7"		41.00
SMC-4040V.3	210m/8"		54.00
SMC-4040V.4	240m/10"		73.75
SMC-4040V.5	300m/12"		79.50

STANDARD JOINTS, STOPPERS, ADAPTERS

5001. Stopper Hollow.			
Cat. No.	Cone		Price US\$
SMC-5001.1	B10		00.32
SMC-5001.2	B14		00.34
SMC-5001.3	B19		00.52
SMC-5001.4	B24		00.58
SMC-5001.5	B29		00.94
SMC-5001.6	B34		01.35

5002. ReductionAdapters,			
Cat. No.	Socket	Cone	Price US\$
SMC-5002.1	B14	B19	01.24
SMC-5002.2	B19	B24	01.35
SMC-5002.3	B19	B29	01.55
SMC-5002.4	B24	B29	01.60
SMC-5002.5	B24	B34	02.20

5003. ExpansionAdapters,			
Cat. No.	Socket	Cone	Price US\$
SMC-5003.1	B19	B14	01.25
SMC-5003.2	B24	B14	01.35
SMC-5003.3	B24	B19	01.45
SMC-5003.4	B29	B19	01.54
SMC-5003.5	B29	B24	01.62
SMC-5003.6	B34	B19	02.20
SMC-5003.7	B34	B24	02.20

Note: Reduction and Expansion Adapters of any other size can also be supplied.

5004. Receiver Adapters, Plain Bend Short/Long.			
Cat. No.	Socket		Price US\$
SMC-5004.1	B14		01.00
SMC-5004.2	B19		01.20
SMC-5004.3	B24		01.28
SMC-5004.4	B29		01.55
SMC-5004.5	B34		01.60

5005. Receiver Adapters, Bend or Straight with Vacuum connection.			
Cat. No.	Socket	Cone	Price US\$
SMC-5005.1	B19	B19	03.60
SMC-5005.2	B24	B24	04.10
SMC-5005.3	B34	B34	06.00

5006. Receiver Adapters, Plain Bend.			
Cat. No.	Socket	Cone	Price US\$
SMC-5006.1	B19	B19	01.70
SMC-5006.2	B19	B24	01.80
SMC-5006.3	B24	B24	01.90
SMC-5006.4	B34	B34	03.40

5007. Recovery Bend, Sloping (Elbow).			
Cat. No.	Cone fitting flask	Cone fitting condenser	Price US\$
SMC-5007.1	B19	B19	01.35
SMC-5007.2	B24	B19	01.45
SMC-5007.3	B24	B24	01.55
SMC-5007.4	B34	B34	03.00

5008. Still Heads, Sloping with B14/B19 Socket.			
Cat. No.	Cone fitting flask	Cone fitting condenser	Price US\$
SMC-5008.1	B19	B19	02.55
SMC-5008.2	B24	B24	03.00
SMC-5008.3	B34	B24	03.60
SMC-5008.4	B34	B34	04.30

5009. Splash Heads, Pear Shape Sloping.			
Cat. No.	Cone fitting flask	Cone fitting condenser	Price US\$
SMC-5009.1	B19	B19	03.75
SMC-5009.2	B24	B24	04.30

5010. Splash Heads, Pear Shape Vertical.			
Cat. No.	Cone fitting flask	Cone fitting condenser	Price US\$
SMC-5010.1	B19	B19	04.30
SMC-5010.2	B24	B24	04.95

5011. Air/Steam Inlet tube, Bent or Straight			
Cat. No.	Cone	Price US\$	
SMC-5011.1	B14	01.20	
SMC-5011.2	B19	01.35	
SMC-5011.3	B24	01.55	

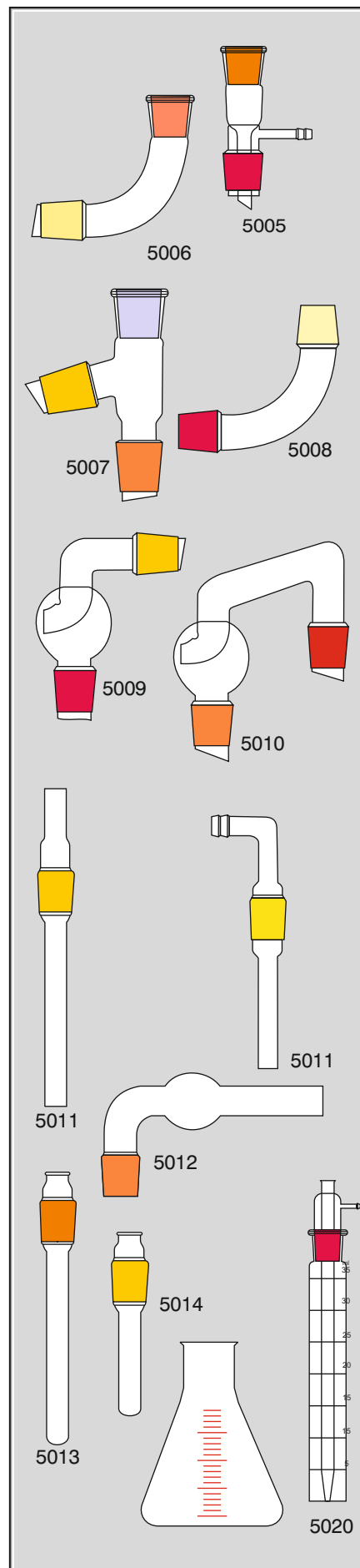
5012. Drying Tube / Guard Tube			
Cat. No.	Cone	Price US\$	
SMC-5012.1	B14	01.35	
SMC-5012.2	B19	01.55	
SMC-5012.3	B24	01.62	

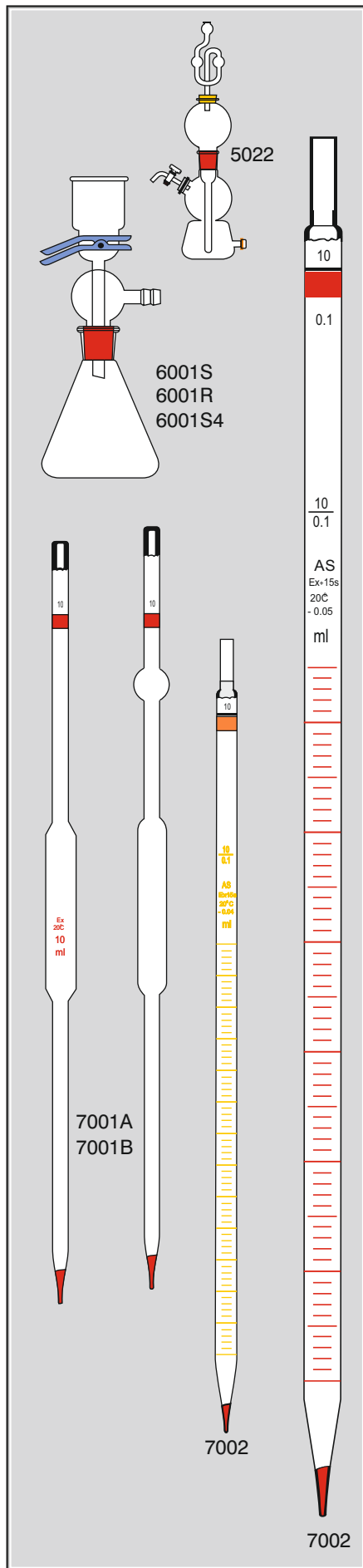
5013. Thermometer Pocket, Long type for sealing to length required.			
Cat. No.	Cone	Price US\$	
SMC-5013.1	B14	01.20	
SMC-5013.2	B19	01.35	
SMC-5013.3	B24	01.55	
SMC-5013.4	B34	02.20	

5014. Thermometer Pocket, Short.			
Cat. No.	Cone	Price US\$	
SMC-5014.1	B14	01.20	
SMC-5014.2	B19	01.35	
SMC-5014.3	B24	01.55	

5018 Rectangular Jar WITH Lid, Clear, Imported (TLC JAR)			
Cat. No.	Size	Price US\$	
SMC-5018.1	210x150x100mm	30.00	
SMC-5018.2	210x170x130mm	30.85	
SMC-5018.3	220x140x140mm	30.55	
SMC-5018.4	225x225x125mm	40.25	
SMC-5018.5	250x250x150mm	51.45	

5020 Impinger, graduated for sampling small gas volumes as per standard specification.			
Cat. No.	Capacity (ml)	Price US\$	
SMC-5020.1	35	03.00	
SMC-5020.2	50	03.90	
SMC-5020.3	80	05.15	
SMC-5020.4	150	06.70	
SMC-5020.5	275	09.40	





5022 Kipp's Apparatus, with interchangeable joints.		
Cat. No.	Capacity(ml)	Price US\$
SMC-5022.1	250	30.75
SMC-5022.2	500	37.75
SMC-5022.3	1000	48.00

6001S Membrane Filter Holder Assembly, with membrane support, Funnel, Flask and Clamp, Standard Joint Fitting				
Cat. No.	Membrane Dia (mm)	Funnel Cap(ml)	Flask Cap. (ml)	Price US\$
SMC-6001S.1	25	25	250	25.70
SMC-6001S.2	25	50	500	29.15
SMC-6001S.3	47	300	1000	46.25

6001SH Membrane Filter Holder Assembly, with membrane support, Funnel, Flask and Clamp, Standard Joint Fitting. Extra Heavy Quality.				
Cat. No.	Membrane Dia (mm)	Funnel Cap(ml)	Flask Cap. (ml)	Price US\$
SMC-6001SH.1	47	300	1000	63.50

6001R Membrane Filter Holder Assembly, with membrane support, Funnel, Flask and Clamp, Neoprene Rubber Cork Fitting.				
Cat. No.	Membrane Dia (mm)	Funnel Cap(ml)	Flask Cap. (ml)	Price US\$
SMC-6001R.1	25	25	250	24.00
SMC-6001R.2	25	50	500	27.50
SMC-6001R.3	47	300	1000	42.75

PIPETTES

7001A Pipettes Transfer Volumetric, with one mark, Accuracy as per class 'A'.			
Cat. No.	Capacity (ml)	Tolerance (\pm ml)	Price US\$
SMC-7001A.1	1	0.006	01.65
SMC-7001A.2	2	0.010	01.65
SMC-7001A.3	5	0.015	01.65
SMC-7001A.4	10	0.020	03.00
SMC-7001A.5	20	0.030	02.00
SMC-7001A.6	25	0.030	02.00
SMC-7001A.7	50	0.050	02.75
SMC-7001A.8	100	0.080	03.35

7001B Pipettes Transfer, Volumetric, with one mark, Medium wall, Accuracy as per class 'B'.			
Cat. No.	Capacity (ml)	Tolerance (\pm ml)	Price US\$
SMC-7001B.1	1	0.015	00.77
SMC-7001B.2	2	0.020	00.77
SMC-7001B.3	5	0.030	00.68
SMC-7001B.4	10	0.040	00.72
SMC-7001B.5	20	0.060	00.82
SMC-7001B.6	25	0.060	00.85
SMC-7001B.7	50	0.100	01.30
SMC-7001B.8	100	1.160	01.55

7002SA Pipettes, Measuring, Graduated, Serological, Accuracy as per class 'A'.				
(These pipettes are graduated to tip and calibrated to deliver their total capacity when the last drop is blown out) Colour coded.				
Cat. No.	Capacity (ml)	Sub. Div. (ml)	Tolerance (\pm ml)	Price US\$
SMC-7002SA.1	0.1	0.01	0.006	-----
SMC-7002SA.2	0.2	0.01	0.006	-----
SMC-7002SA.3	0.5	0.02	0.006	01.55
SMC-7002SA.4	1.0	0.01	0.006	01.55
SMC-7002SA.5	2.0	0.02	0.010	02.30
SMC-7002SA.6	5.0	0.05	0.030	01.55
SMC-7002SA.7	10.0	0.10	0.050	01.70
SMC-7002SA.8	25.0	0.20	0.100	02.40

7002SA Pipettes, Measuring, Graduated, Serological, Accuracy as per class 'B'.				
(These pipettes are graduated to tip and calibrated to deliver their total capacity when the last drop is blown out) Colour coded.				
Cat. No.	Capacity (ml)	Sub. Div. (ml)	Tolerance (\pm ml)	Price US\$
SMC-7002SA.1	0.1	0.01	0.01	00.68
SMC-7002SA.2	0.2	0.01	0.01	00.68
SMC-7002SA.3	0.5	0.02	0.01	00.68
SMC-7002SA.4	1.0	0.01	0.01	00.68
SMC-7002SA.5	2.0	0.02	0.02	00.68
SMC-7002SA.6	5.0	0.05	0.05	00.68
SMC-7002SA.7	10.0	0.10	0.10	00.72
SMC-7002SA.8	25.0	0.20	0.20	01.00

7002MA Pipettes, Measuring, Graduated, Mohr type, Accuracy as per class 'A'.				
(These pipettes are graduated for the delivery from 0 mark to the graduation mark)				
Colour coded.				
Cat. No.	Capacity (ml)	Sub. Div. (ml)	Tolerance (\pm ml)	Price US\$
SMC-7002MA.1	1.0	0.01	0.006	01.70
SMC-7002MA.2	2.0	0.02	0.010	-----
SMC-7002MA.3	5.0	0.05	0.030	01.90
SMC-7002MA.4	10.0	0.10	0.050	02.15
SMC-7002MA.5	25.0	0.20	0.100	03.25

7002MB Pipettes, Measuring, Graduated, Mohr type, Accuracy as per class 'B'.				
(These pipettes are graduated for the delivery from 0 mark to the graduation mark)				
Colour coded.				
Cat. No.	Capacity (ml)	Sub. Div. (ml)	Tolerance (\pm ml)	Price US\$
SMC-7002MB.1	1.0	0.01	0.01	01.00
SMC-7002MB.2	2.0	0.02	0.02	01.00
SMC-7002MB.3	5.0	0.05	0.05	01.10
SMC-7002MB.4	10.0	0.10	0.10	01.20
SMC-7002MB.5	25.0	0.20	0.20	01.35

7003	Pipettes for Milk Testing 10.75ml.	00.72
-------------	---	--------------

STOPCOCKS

8001 Stopcock, Straight Bore'.					
Cat. No.	Description	Bore Size	Bore Size	Price US\$	
SMC-8001.1	With Borosil Solid Plug, Side Tube	1-2mm	70.00	3-4mm	02.15

8002 Stopcock, Three Way, 'T' Bore.					
Cat. No.	Description	Bore Size	Bore Size	Price US\$	
SMC-8002.1	With Borosil Solid Plug, Side Tube	1-2mm	180.00	3-4mm	03.75
SMC-8002.2	With Borosil Solid Plug, Side Capillary	1-2mm	200.00	3-4mm	04.10

8003 Stopcock for Burette.		
Cat. No.	Description	Price US\$
SMC-8003.1	With Solid Borosil Plug	01.10
SMC-8003.2	With PTFE Plug	04.30
SMC-8003.3	Rotaflo, PTFE Key, Screw Type	01.10

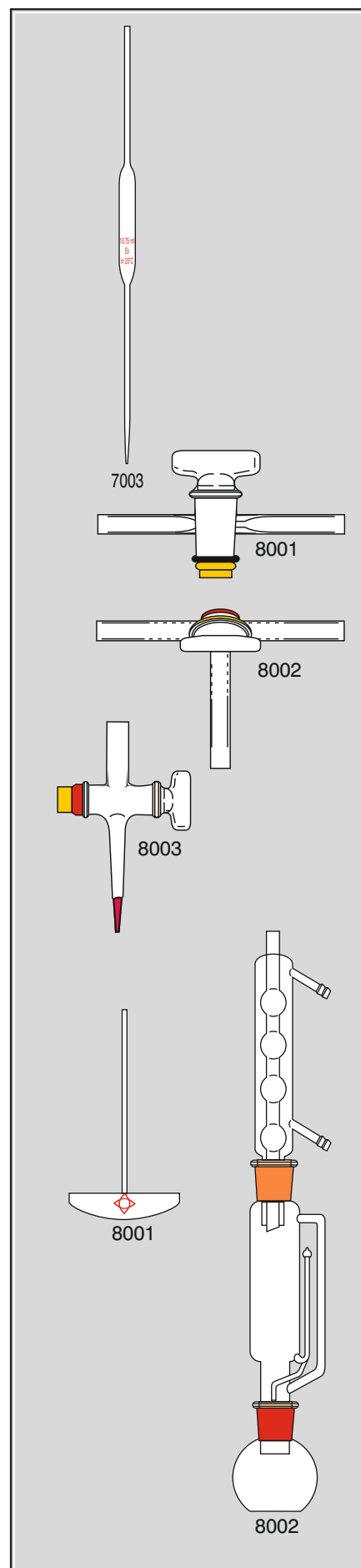
8004 Stopcock for Separating Funnel.			
Cat. No.	Bore(mm)	Price US\$	
SMC-8004.1	2	01.20	
SMC-8004.2	4	01.30	
SMC-8004.3	6	01.90	
SMC-8004.4	8	02.50	
SMC-8004.5	10	07.30	
SMC-8004.6	12	08.00	

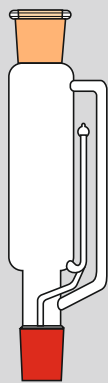
STIRRERS

8001. Teflon Bladed Stirrers, Removable from the Stirrer Shaft.					
Cat. No.	Approx. Shaft Dia (mm)	Shaft Length (mm)	Smallest Socket through which stirrer will pass	Blade Width(mm)	Price US\$
SMC-8001.1	6	450	B19	52	02.75
SMC-8001.2	6	450	B24	76	03.00
SMC-8001.3	8	450	B24	76	03.40
SMC-8001.4	8	450	B29	100	03.85
SMC-8001.5	8	600	B34	100	04.30
SMC-8001.6	10	450	B34	100	06.85
SMC-8001.7	10	600	B34	125	06.40
SMC-8001.8	10	600	B50	150	09.40
Shaft for Teflon Bladed Stirrers					
SMC-8001.9	6	450			01.35
SMC-8001.10	8	450			01.70
SMC-8001.11	8	600			01.90
SMC-8001.12	10	450			02.05
SMC-8001.13	10	600			02.40

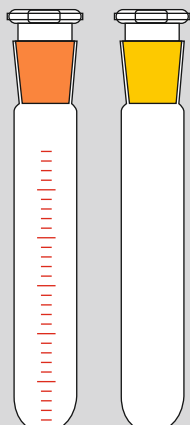
EXTRACTION APPARATUS

8002 Soxhlet Extraction Apparatus, consists of Flask, Extractor and Condenser.					
Cat. No.	Flask cap.	Extractor Cap.(m)	Extractor Socket	Extractor Cone	Price US\$
SMC-8002.1	150	60	B34	B24	08.00
SMC-8002.2	250	100	B40	B24	10.45
SMC-8002.3	500	200	B50	B24	15.80
SMC-8002.4	1000	400	B50	B24	22.30
SMC-8002.5	2000	600	B50	B24	39.50
SMC-8002.6	3000	1000	B55	B34	51.40
SMC-8002.7	5000	2000	B55	B34	128.00
SMC-8002.8	10000	3000	B55	B34	188.00



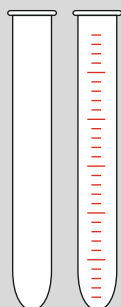


8002S



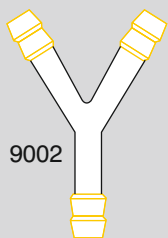
9001GS

9001S

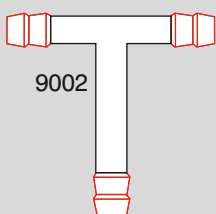


9001

9001G



9002



9002

8002S Spare Extractor, for Soxhlet Apparatus.				
Cat. No.	Capacity(ml)	Socket	Cone	Price US\$
SMC-8002S.1	60	B34	B24	04.00
SMC-8002S.2	100	B40	B24	05.15
SMC-8002S.3	200	B50	B24	07.30
SMC-8002S.4	400	B50	B24	13.90
SMC-8002S.5	600	B50	B24	21.50
SMC-8002S.6	1000	B55	B34	25.70
SMC-8002S.7	2000	B55	B34	60.00
SMC-8002S.8	3000	B55	B34	-----

9001GS Test Tubes, Graduated, with interchangeable stopper.					
Cat. No.	Size(mm)	Capacity(ml)	Sub.Div.(ml.)	Stopper Size	Price US\$
SMC-9001GS.1	125 x 15	10	0.1	B12	01.00
SMC-9001GS.2	150 x 22	25	0.5	B19	01.45
SMC-9001GS.3	200 x 25	50	1.0	B19	01.90

9001S Test Tubes, with interchangeable Stopper, Plain.				
Cat. No.	Cap.(ml)	Length x Dia.(mm)	Stopper Size	Price US\$
SMC-9001S.1	10	125 x 15	B12	00.85
SMC-9001S.2	20	150 x 18	B14	01.00
SMC-9001S.3	30	150 x 25	B19	01.55
SMC-9001S.4	50	200 x 25	B19	01.70
SMC-9001S.5	75	200 x 32	B24	02.74
SMC-9001S.6	100	200 x 38	B24	02.90

9001 Test Tubes, with rim or without rim.		
Cat. No.	O.D. x L x W.T.(mm)	Price US\$
SMC-9001.1	10x75	00.09
SMC-9001.2	12x75	00.10
SMC-9001.3	12x100	00.10
SMC-9001.4	15x125	00.14
SMC-9001.5	15x150	00.14
SMC-9001.6	18x150	00.21
SMC-9001.7	25x150	00.32
SMC-9001.8	25x200	00.47
SMC-9001.9	32x200	00.72
SMC-9001.10	38x200	00.85

9001G Test Tubes, Round or Flat Bottom, with rim or without rim, Graduated.			
Cat. No.	Capacity(ml)	O.D. x L x W.T.(mm)	Price US\$
SMC-9001G.1	10	15x125	00.50
SMC-9001G.2	25	18x150	00.65
SMC-9001G.3	50	25x200	00.77

9001N Test Tubes, Neutral Hard Glass, Heat resistant.		
Cat. No.	Size Approx. (mm)	Price US\$
SMC-9001N.1	10x75	00.04
SMC-9001N.2	12x75	00.05
SMC-9001N.3	12x100	00.06
SMC-9001N.4	15x125	00.06
SMC-9001N.5	15x150	00.07
SMC-9001N.6	18x150	00.08
SMC-9001N.7	25x150	00.15

9002 Connection Tubes, T Shape or Y Shape		
Cat. No.	Tube Dia(mm)	Price US\$
SMC-9002.1	8	00.60
SMC-9002.2	10	00.85
SMC-9002.3	12	01.20

INDEX

A		
ABSORPTION BULB	7	
ABSORPTION VESSEL	7	
ADAPTERS	12,13	
ALL GLASS DISTILLATION APPARATUS	11	
ARSENIC APPARATUS	3	
ASPIRATOR BOTTLES	1	
B		
BEAKERS	1	
B.O.D. BOTTLES	1	
BOTTLES VARIOUS	1,2,3	
BUCKNER FUNNELS	10	
BURETTES VARIOUS	2	
C		
CALCIUM CHLORIDE TUBE	7	
CARBON BURETTE	7	
CARBON SULPHUR APPARATUS GLASS PARTS	7	
CENTRIFUGE TUBE	4	
CHROMATOGRAPHY COLUMNS	6,7	
CHROMATOGRAPHY SPRAYER	7	
COLUMNS FRACTIONATING	7	
CONDENSERS	5,6	
CONICAL FLASKS	8	
CONNECTION TUBES	16	
CROW RECEIVER	4	
CRUCIBLE SINTERED	10	
CULTURE TUBES	4	
CYLINDERS	3,4	
D		
DEAN & STARK APPARATUS	11	
DESICCATORS	12	
DISTILLATION APPARATUS	11,12	
DISTILLATION FLASKS	8	
DROPPING BOTTLES	1	
DROPPING FUNNELS	10	
DRYING TUBE	13	
F		
F.B. FLASKS	8	
FILTRATION FLASK	9	
FLASKS, VARIOUS	8,9	
FRACTIONATING COLUMNS	7	
FUNNELS	10	
G		
GAS WASH BOTTLES	3	
GOOCH CRUCIBLE	10	
I		
IMPINGERS	13	
INLET TUBES	13	
IODINE FLASKS	9	
K		
KIPP'S APPARATUS	14	
KJELDHAL DISTILLATION APPARATUS	12	
KJELDHAL FLASKS		
M		
MEASURING CYLINDERS	3,4	
MEASURING FLASK		
MEMBRANE FILTER ASSEMBLIES	14	
N		
NESSLER CYLINDERS		
P		
PETRI DISH	11	
PIPETTES - GRADUATED	14,15	
PIPETTE - MILK TESTING	15	
PIPETTES VOLUMETRIC	14	
PRESSURE EQUALISING FUNNEL	10	
R		
R. B. FLASKS		
R. B. FLASKS - MULTIPLE NECKS		
RECOVERY BEND	13	
RECTANGULAR JARS	13	
REACTION FLASK		
REAGENT BOTTLES		
S		
SAYBOLT VISCOSITY FLASK	11	
SEPARATING FUNNELS	10	
SOXHLET EXTRACTION APPARATUS	15,16	
SPECIFIC GRAVITY BOTTLES		
SPLASH HEADS	13	
STILL HEADS	13	
STIRRER	15	
STOP COCKS FOR C & S APPARATUS		
STOP COCKS - VARIOUS	15	
STOPPERS	12	
SULPHUR BURETTE		
T		
TEST TUBES VARIOUS	16	
THERMOMETER POCKET	13	
THISTLE FUNNEL	10	
TLC JARS	13	
V		
VOLUMETRIC FLASKS	9	
W		
WEIGHING BOTTLES	2	



STERLING MANUFACTURING COMPANY

4365, Ground Floor, Science Market Ambala Cantt - 133001 (HARYANA) INDIA
Ph. : 0091-171-2640405, 4001405, 4001905,2630707, Fax: 0091-171-2653125
Website : www.sterlingco.com Email: info@sterlingco.com

ALSO DEALS IN
BIOLOGY, CHEMISTRY, HOSPITAL FURNITURE, SURGICAL INSTRUMENTS, MICROSCOPES